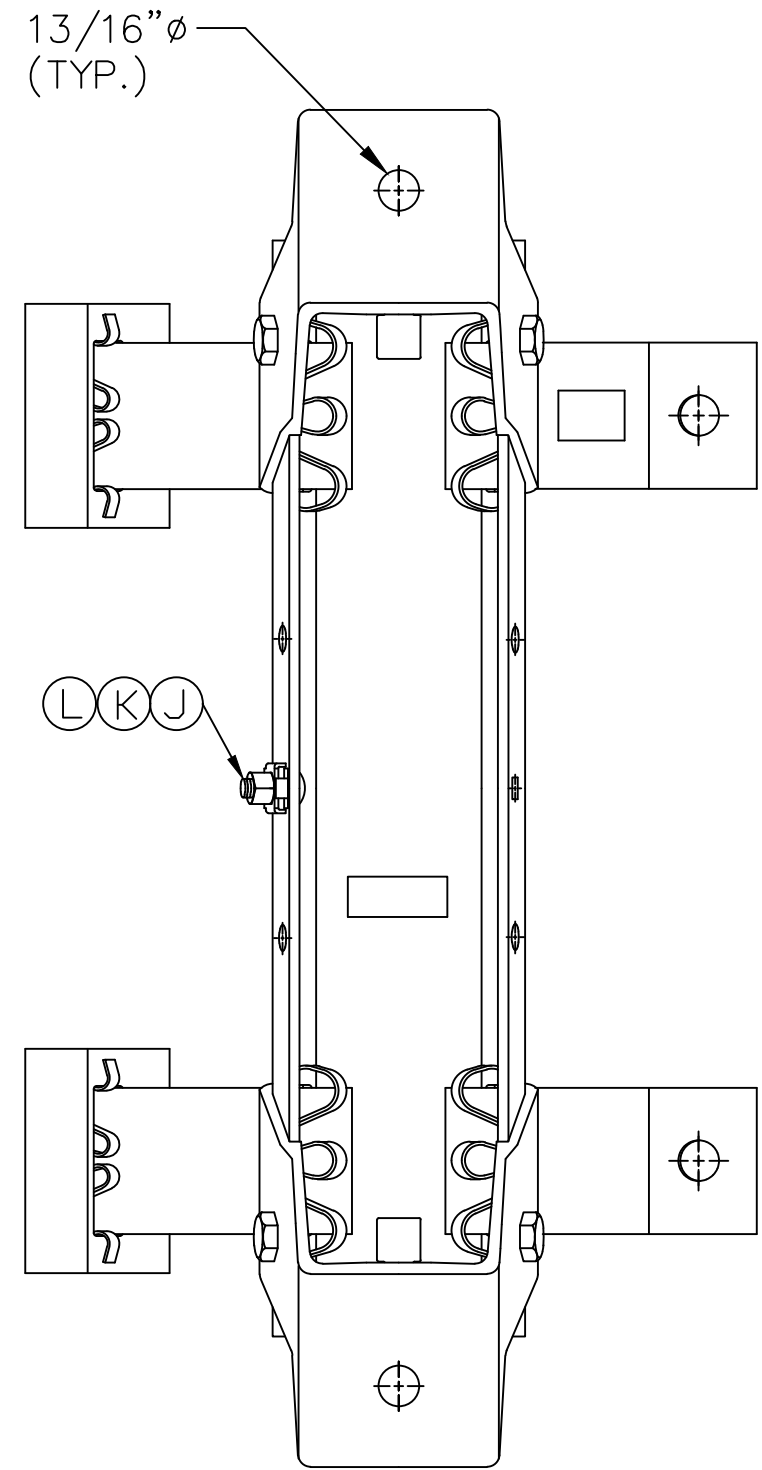
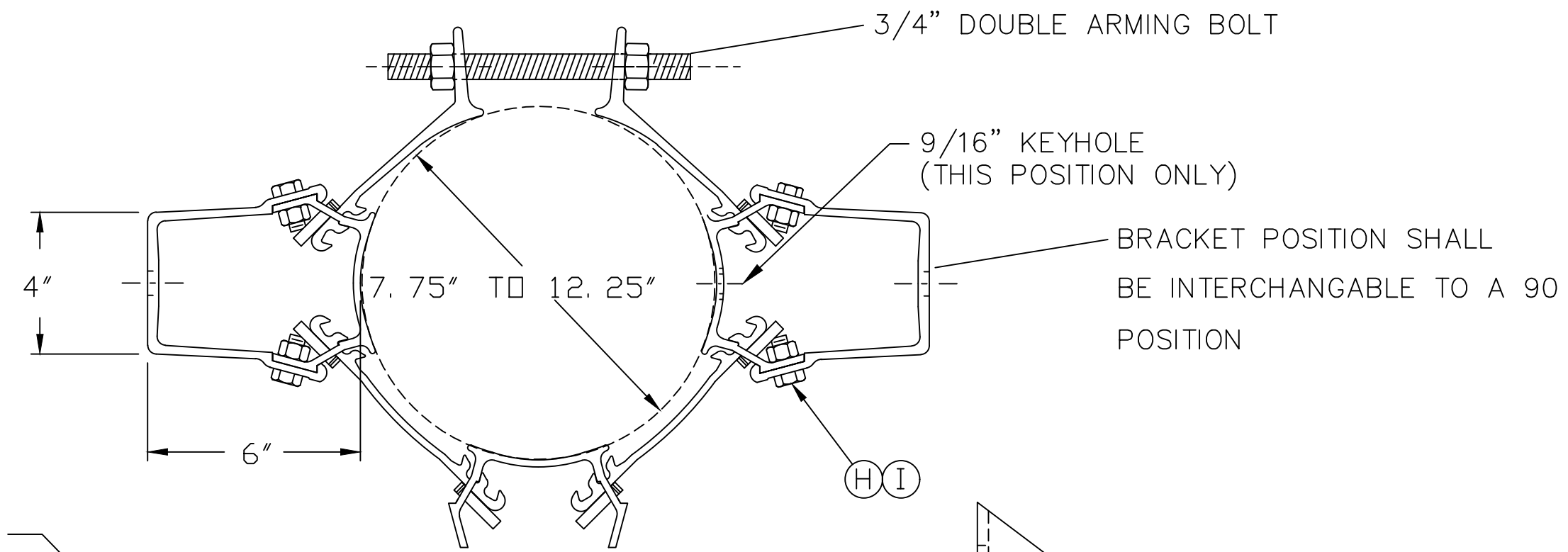
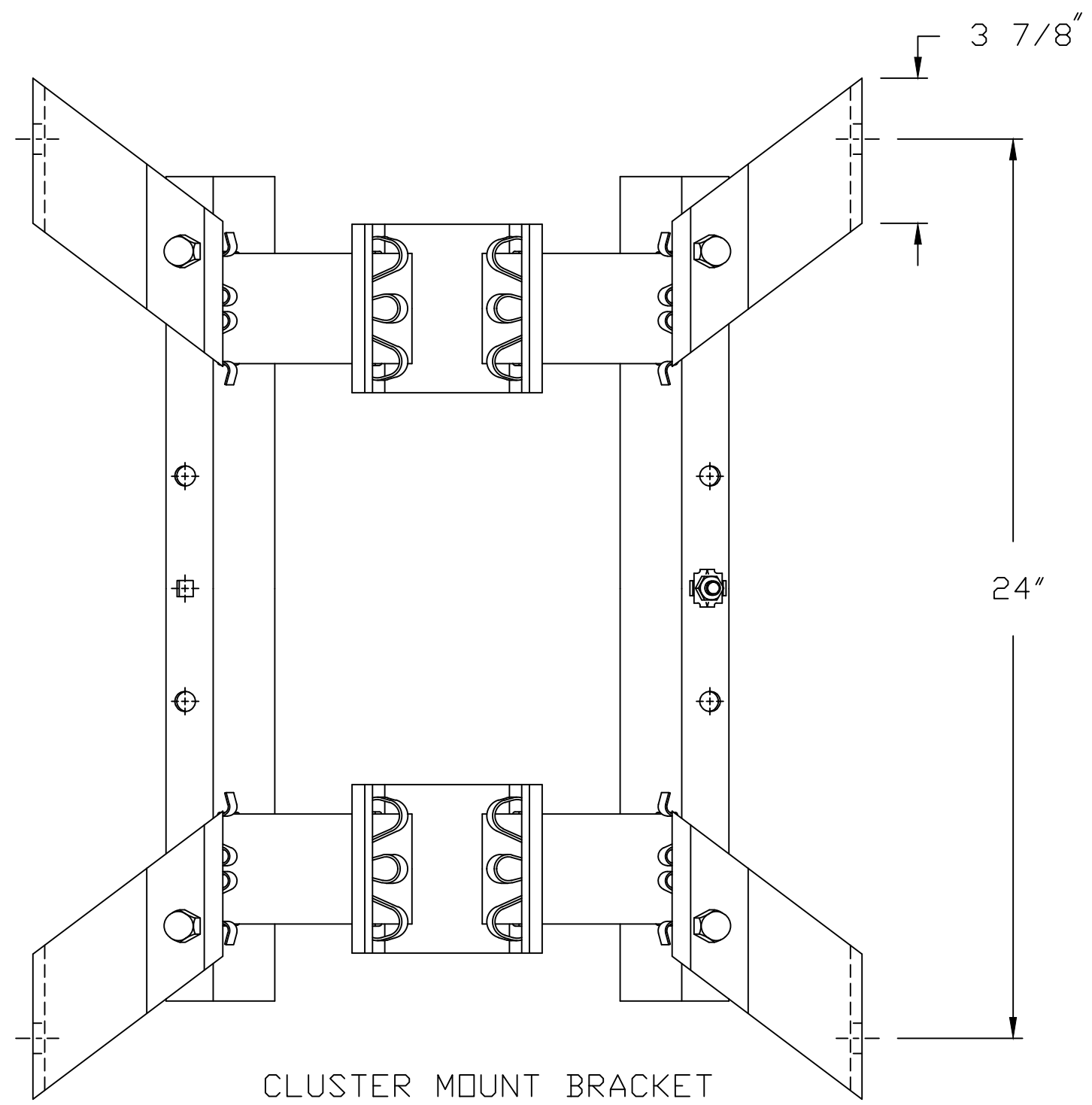


SYM. MARK	DESCRIPTION	LENGTH	
		FT.	IN.
H	1/2" H.H.M.B.		1"
I	1/2" HEX NUT		
J	3/8" CARRIAGE BOLT		1-1/4"
L	GROUND CLAMP		
K	3/8" HEX NUT		



CLUSTER MOUNT BRACKET FRONT VIEW

CLUSTER MOUNT BRACKET PLAN VIEW



CLUSTER MOUNT BRACKET SIDE VIEW

JAMAICA PUBLIC SERVICE- KINGSTON				SCALE
TECHNICAL STANDARD				
DISTRIBUTION STANDARD				NTS
TRANSFORMER CLUSTER MOUNT BRACKET				
TWO TRANSFORMERS				
DRAWN	CHKD	APP'D	DATE	JPS DRAWING NO. CMB-1.0 SHEET 2 OF 3